

# WARDROBES

CATALOGUE THREE



OXENE.BLUEBIRD.PK



OXENE

2 - INTRODUCTION

3 - FINISHING OPTIONS

4 - EDGE

7 - GROOVE

8 - CURVE

11 - HORIZON

12 - SELECT

14 - INTEGRATED

15 - OPEN

16 - ASTRA

19 - EMBRACE

20 - CLASSIC

23 - J-PROFILE

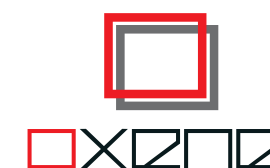
24 - DUO

27 - UNITY

28 - GENERAL MODULES

31 - ACCESSORIES

32 - GLOBAL NETWORK





**INTRODUCTION**  
Our Wardrobe Collection is specially made to satisfy consumer's need of good design & functional product. Equipped with various accessories to make the Wardrobe clean & tidy.

**MATERIAL QUALITY**  
People desire a nice & functional Wardrobe, but most importantly they want it to be durable. By Combining aesthetic aspect with its careful choices of the Wood Materials, our collection even goes beyond your Expectation. The production process is handled by experienced & skilled craftsmen, while aiming only at perfection.

The end result; a masterpiece for the discerning.

## FINISHING OPTIONS



Finishing Options for the Wardrobe are widely varied depending on your Personal Taste. Nonetheless, they are of the same premium quality material, MDF, High Gloss, Solid & Semi Solid Wood. The difference is only on the Characteristic of the Material, resulting in the different final look on the Panel Surface.

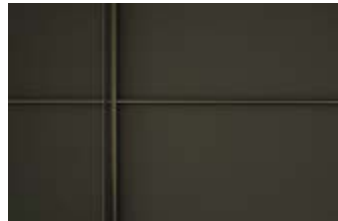




EDGE



Edge sliding doors wardrobe in signal black lacquer matt.

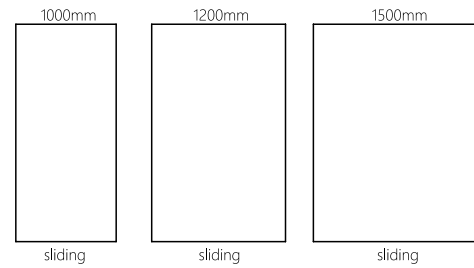


The doors decorate the interior with a sophisticated design that is simple in the outlines yet luxurious in the materials along with its exclusive aluminum frame.

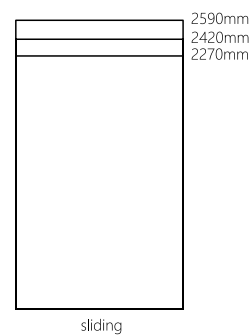
**Features:**

Openings in sliding with soft closing.  
Doors finishing in mirror, veneer, and lacquer.

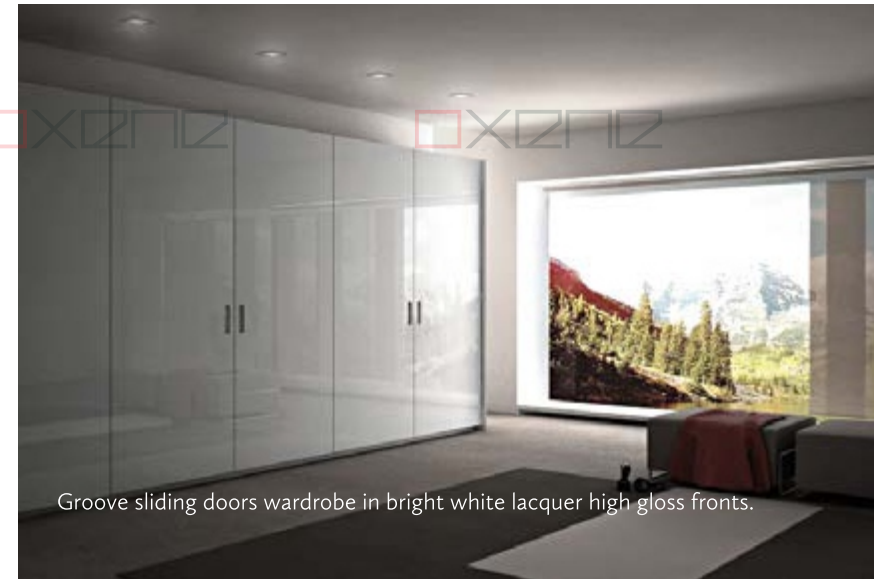
**Available Widths:**



**Available Heights:**



GROOVE



Groove sliding doors wardrobe in bright white lacquer high gloss fronts.

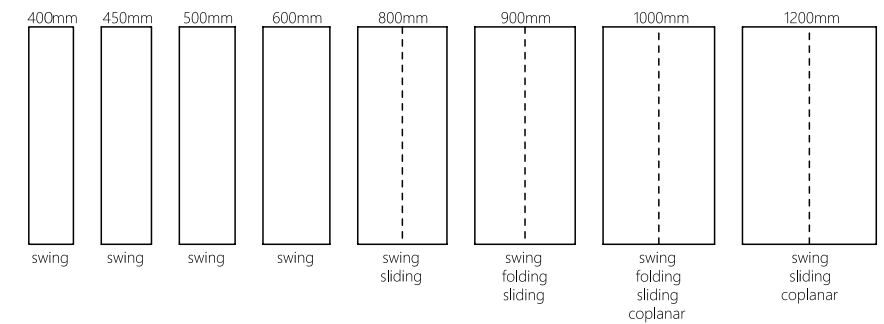


Groove handle profile emphasizes its compact material front and enhances the surroundings that makes it elegant and modern.

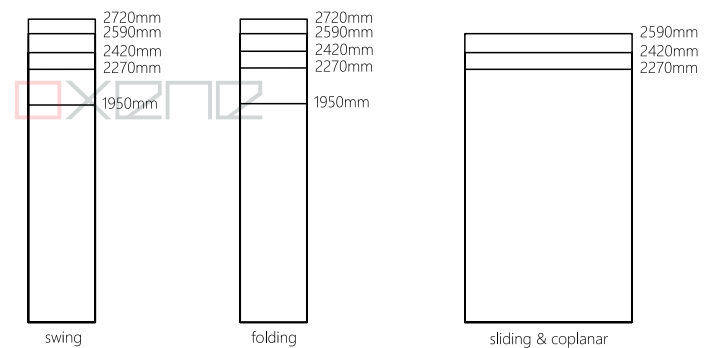
**Features:**

Openings in swing, folding, sliding and coplanar with soft closing.  
Doors finishing in veneer and lacquer.

**Available Widths:**



**Available Heights:**







CURVE



Curve coplanar doors wardrobe in fumed oak veneer open pore top-bottom panels and bright white lacquer matt handles.

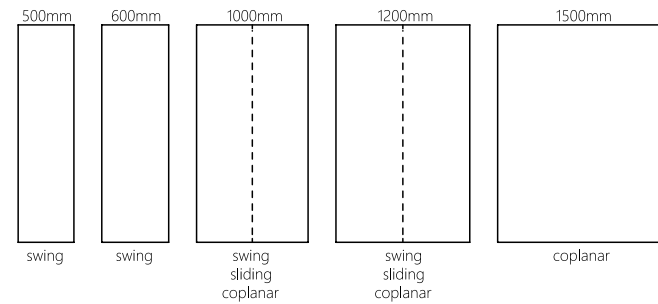


The wardrobe delivers sense of continuity to the natural atmosphere through the textured wood materials yet provides modern look from its distinctive handle.

**Features:**

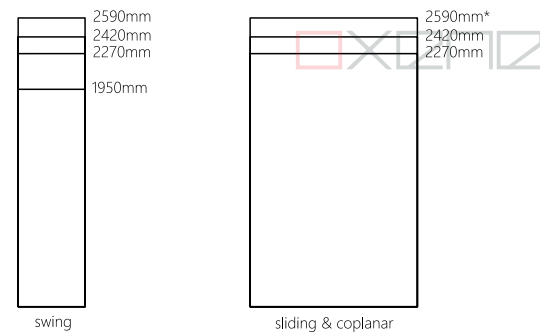
Openings in swing, sliding, and coplanar with soft closing.  
Doors finishing in veneer and lacquer.  
Top-bottom panels and center handle finishes can be similar or different.

**Available Widths:**



**Available Heights:**

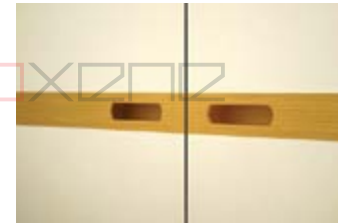
\*Sliding and coplanar H.2590mm is only available up to W.1200 mm.



HORIZON



Horizon sliding doors wardrobe in bright white lacquer matt top-bottom panels and pale oak veneer open pore handles.

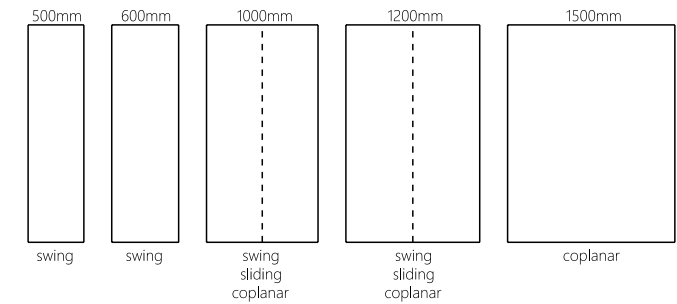


With the horizontal contour handle and the top-bottom panel front that produce an immense impact to surroundings, the overall look harmonizes and intensifies its space.

**Features:**

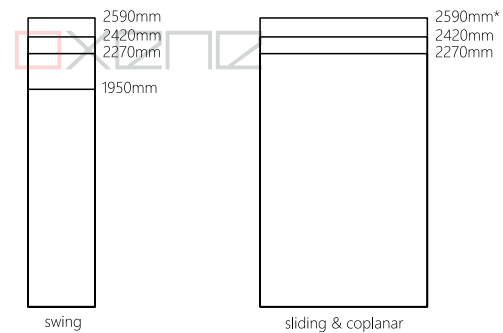
Openings in swing, sliding, and coplanar with soft closing.  
Doors finishing in veneer and lacquer.  
Top-bottom panels and center handle finishes can be similar or different.

**Available Widths:**



**Available Heights:**

\*Sliding and coplanar H.2590 mm is only available up to W.1200 mm.



SELECT



Select swing doors wardrobe in bright white lacquer high gloss fronts and external metal handles.

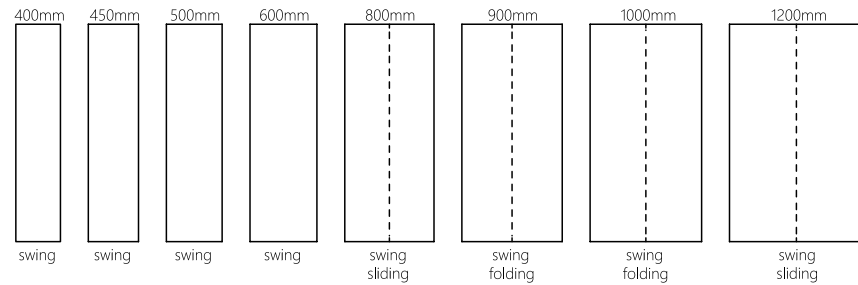


Protruding from the harmonious compact door, the handle provides distinct presence with its solid grip, right position, and vibrant appearance.

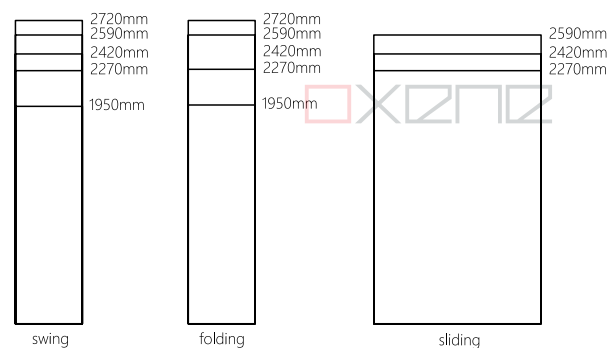
**Features:**

Openings in swing, folding, and sliding with soft closing. Doors finishing in MFC, veneer, and lacquer.

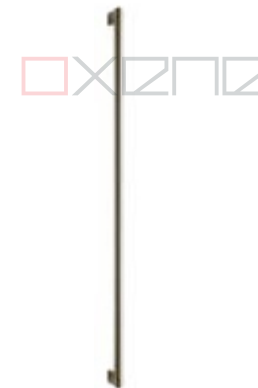
**Available Widths:**



**Available Heights:**



AVAILABLE SELECT HANDLES:



**BAR-S77**  
H.775mm  
For swing, folding, and sliding wardrobe.  
Finishes in stainless steel.



**BAR-552**  
H.520mm  
For swing, folding, and sliding wardrobe.  
Finishes in stainless steel.



**BAR-233**  
H.233mm  
For swing and folding wardrobe.  
Finishes in matt black.



**CR25**  
H.249mm  
For swing and folding wardrobe.  
Finishes in chrome.



**BAR-168**  
H.168mm  
For swing and folding wardrobe.  
Finishes in stainless steel.



**NC12**  
H.113mm  
For swing wardrobe.  
Finishes in bright satin nickel.



**MATT 22**  
H.220mm  
For swing and folding wardrobe.  
Finishes in matt black.



**BLACK 16**  
H.156mm  
For swing and folding wardrobe.  
Finishes in black painted.



**NC22**  
H.220mm  
For swing and folding wardrobe.  
Finishes in bright satin nickel.



**WHITE 29**  
H.290mm  
For swing and folding wardrobe.  
Finishes in white painted.



**L28**  
H.275mm.  
For swing wardrobe.  
Finishes in dark brown leather ivory border.



**AN21**  
H.210mm  
For swing wardrobe.  
Finishes in anodized brushed.



**S13**  
H.135mm  
For swing wardrobe.  
Finishes in stainless steel.



**MATT 7**  
H.70mm  
For swing wardrobe.  
Finishes in matt black.

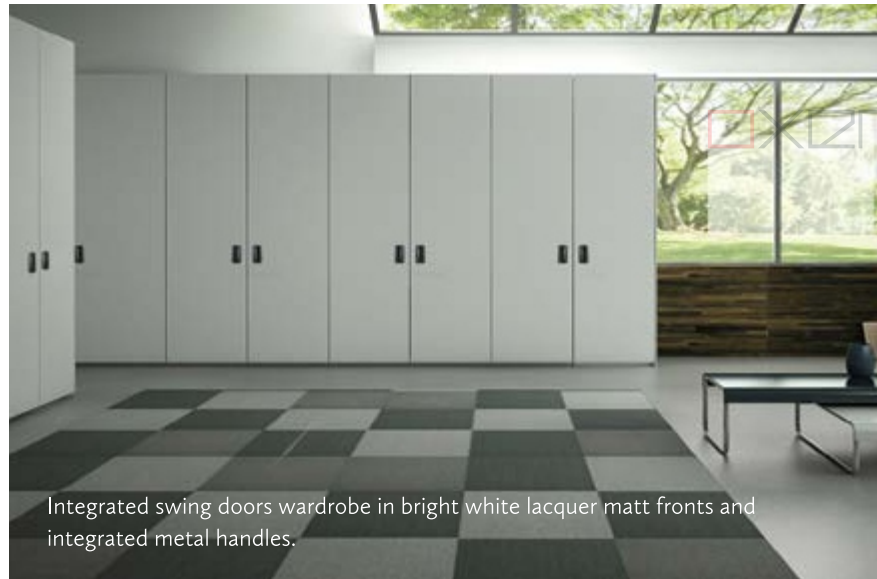


**FL-R(Right) or FL-L(Left)**  
H.250mm  
For swing wardrobe.  
Finishes in mat metalized silver.





# INTEGRATED



Integrated swing doors wardrobe in bright white lacquer matt fronts and integrated metal handles.

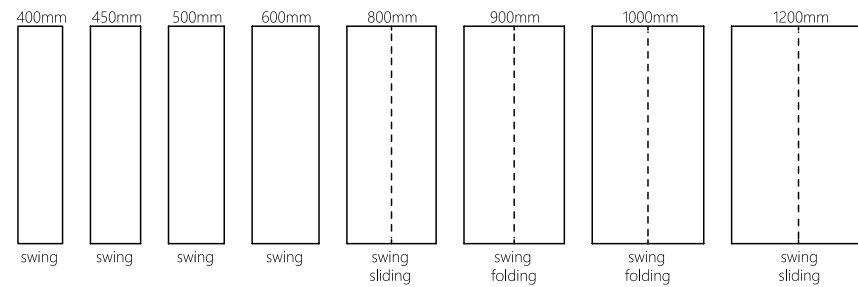


The metal integrated handle brings you a clean look by its concealed character to a poised firm surface.

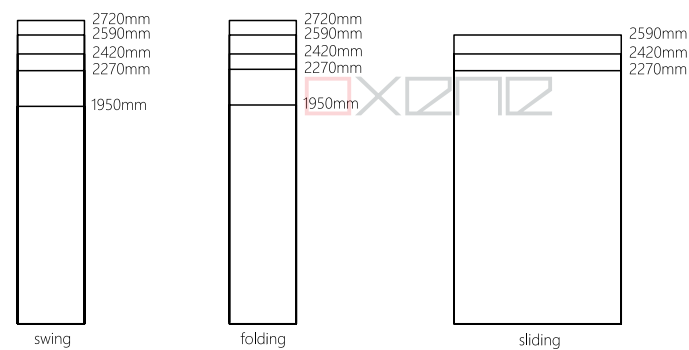
**Features:**

Openings in swing, folding, and sliding with soft closing. Doors finishing in MFC, veneer, and lacquer.

**Available Widths:**



**Available Heights:**



# OPEN



Open wardrobe with accessories in beige linen MFC.

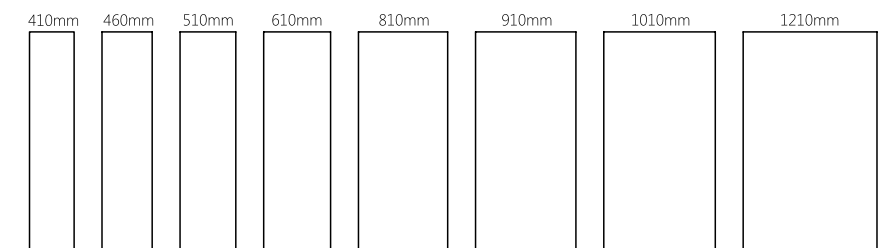


Variety of accessories provide a clean open ambience to your living area.

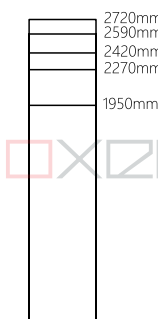
**Features:**

Finishing in MFC.

**Available Widths:**



**Available Heights:**





ASTRA



Astra swing doors wardrobe in silver grey lacquer matt fronts and powder coated integrated handles

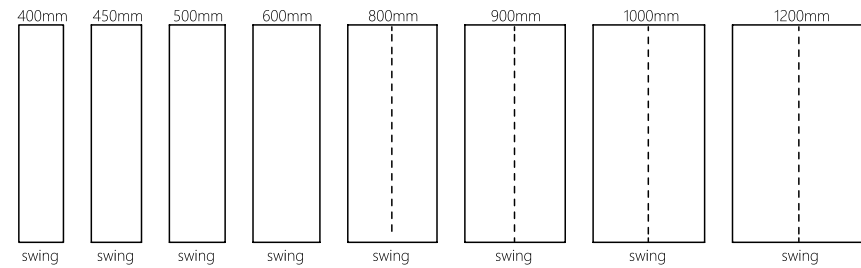


The powder coated finish integrated handle creates an atmosphere of elegance with its personalized look. Its height (1280mm) allows easy access to open the door.

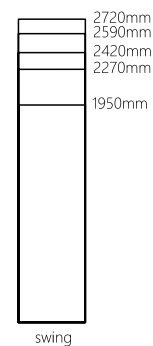
**Features:**

Openings in swing with soft closing.  
Doors finishing in MFC, veneer, and lacquer.

**Available Widths:**



**Available Heights:**



EMBRACE



Embrace swing doors wardrobe in cream lacquer matt & mirror panels with moss grey frames and knob handles.

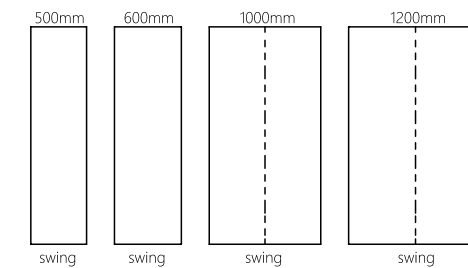


The wardrobe delivers sense of continuity to the natural atmosphere through its time-honored profile, yet modern attribute.

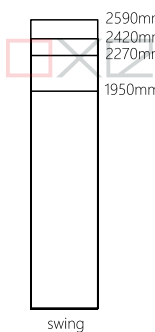
**Features:**

Openings in swing with soft closing.  
Door panels in lacquer matt or mirror.  
Door frames in lacquer matt. The panels and frames can be of different colors.

**Available Widths:**



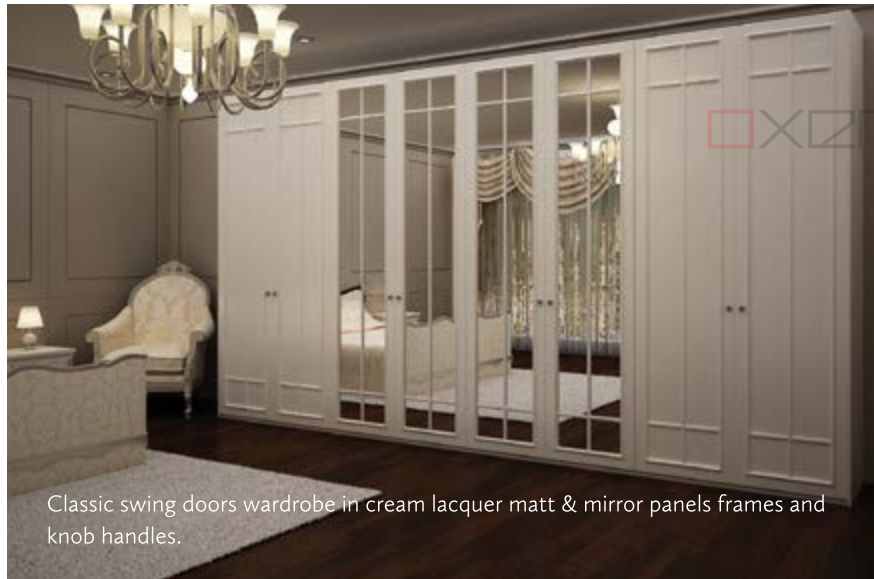
**Available Heights:**







CLASSIC



Classic swing doors wardrobe in cream lacquer matt & mirror panels frames and knob handles.

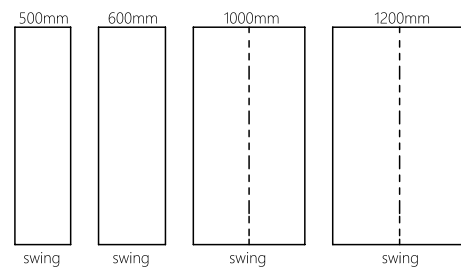


Ultimate timeless design, rich in detailing. An artisan masterpiece of enduring excellence which will sit beautifully on any given space.

**Features:**

- Openings in swing with soft closing.
- Door panels in lacquer matt or mirror.
- Door frames in lacquer matt.

**Available Widths:**



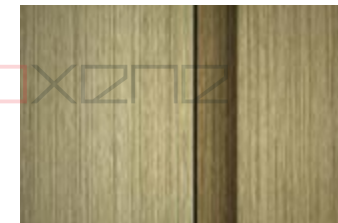
**Available Heights:**



J-PROFILE



J-Profile swing doors wardrobe in MFC J-Collato.

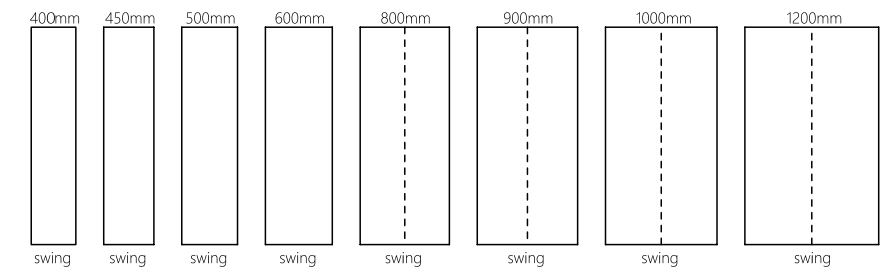


Showcasing the starts-of-the-art in manufacturing capabilities, the J-Profile represents sleek and simplicity in design while its continuous vertical wood grain adds a touch of class.

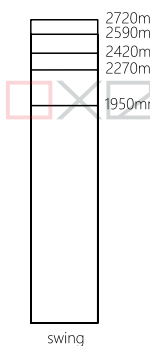
**Features:**

- Openings in swing with soft closing.
- Doors finishing in MFC J-Profile vertical grain.

**Available Widths:**



**Available Heights:**







OXENE

OXENE

OXENE

OXENE

OXENE

OXENE

OXENE

OXENE

OXENE

OXENE

OXENE

OXENE



DUO



Duo swing doors wardrobe in bright white lacquer matt fronts and beige grey lacquer matt integrated handles.

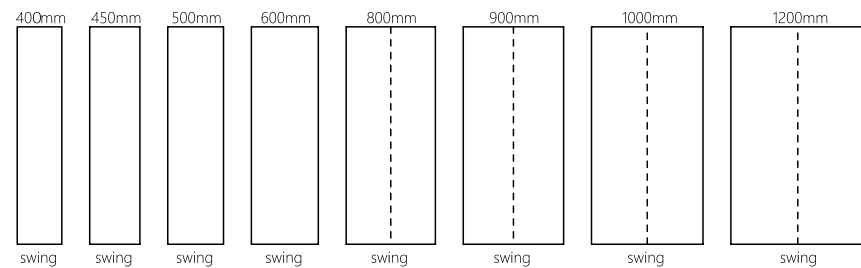


Characterized by its extreme spareness and simplicity, Duo is an avant-garde work of art hand crafted to perfection.

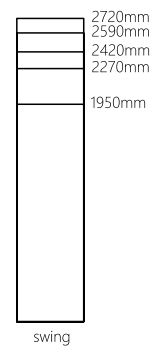
**Features:**

Openings in swing with soft closing.  
Doors finishing in lacquer matt.  
There can do one or two doors finishings.

**Available Widths:**



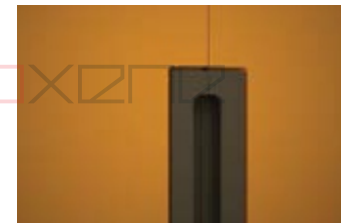
**Available Heights:**



UNITY



Unity swing doors wardrobe in daffodil yellow lacquer matt fronts and stone grey lacquer matt integrated handles.

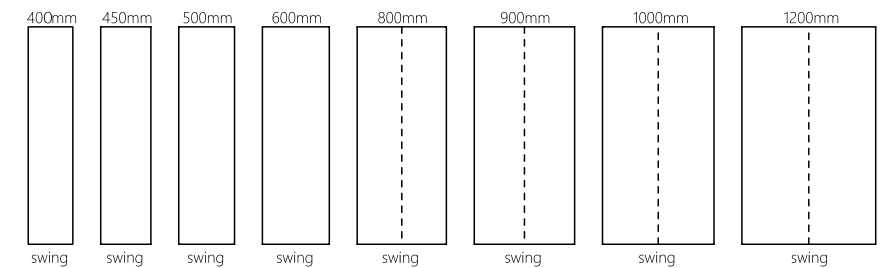


The pleasing proportion and attention to detail in symmetry and balance are the true essence of Unity.

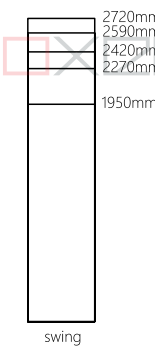
**Features:**

Openings in swing with soft closing.  
Doors finishing in lacquer matt.  
There can do one or two doors finishings.

**Available Widths:**



**Available Heights:**



GENERAL MODULES



**C502 MODULES**  
 Mirror modules complement the wardrobe system to furnish spacious area.



**CABINET ON TOP MODULES**  
 Cabinet on top modules cover the wardrobe area up to the ceiling, creating a clean look while also maximising the use of spaces.



**BRIDGE MODULES**  
 Bridge modules adjoin two areas that allow harmonious sensation within diverse schemes.



**DRESSER MODULE**  
 Dresser module beautifies the wardrobe system with an open space to showcase your private collections.



**DRESSING TABLE MODULE**  
 Dressing table module integrates vanity area with the wardrobe system.

## ACCESSORIES

A wide range of accessories are available to complement your wardrobe selection.



Accessorized wardrobe. Internal in beige linen MFC.



Accessorized wardrobe. Internal in beige linen MFC.



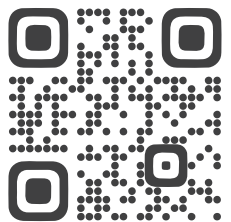
Accessorized wardrobe. Internal in beige linen MFC and dark oak MFC.



WE DO THE THINGS THAT MATTER



OXENE.BLUEBIRD.PK  
INFO@BLUEBIRD.PK



oxene is a project of



03 1 1 1 705 355